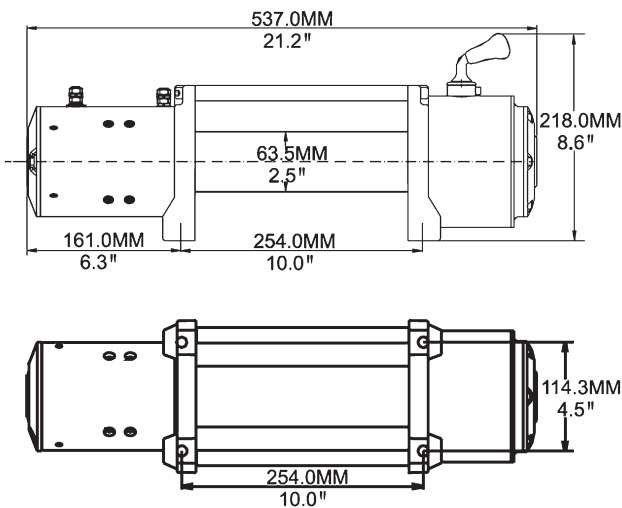


9500LB 12V ELECTRIC WINCH SPOOLED WITH **WIRE CABLE**



TMAEW9500 Features & Specifications:

Rated Line Pull	9500Lb (4305Kg) Single Line
Motor	6.6Hp 12V Series Wound; 6Hp 24V Series Wound
Control	Wireless
Solenoid Style	Integrated Solenoid Module (ISM)
Gear Train	3 Stage Planetary
Gear Ratio	218:1
Clutch	Sliding Ring Gear
Braking	Automatic In-The-Drum
Drum Size	Diameter x Length 2.52" x 8.82" (64mm x 224mm)
Wire Cable	Diameter x Length 21/64" x 94' (8.2mm x 28.5m)
Recommended Battery	650CCA Minimum for Winching
Battery Leads	25mm ² , 72" (1.83m)
Weight	84Lb (38kg)
Overall Dimensions	(LxWxH) 21.2" x 6.3" x 8.6" (537 x 160 x 218mm)
Mounting Bolt Pattern	10.00±0.0151N x 4.50±0.01N (254 x 114.3mm)
Fairlead	4-Way Roller Fairlead
Finish	Gun Metal Grey

TMAEW9500 Line Pull & Cable Capacity

Layer of Cable	1	2	3	4
Rated Line	Lbs 9500	8435	7640	7086
Pull per Layer	Kg 4305	3822	3462	3212
Cumulative	Ft 16	42	72	94
Cable capacity	m 5	12	21	28

Line Speed & Amp Draw-First Layer

Line Pull	Lbs	NO	2000	4000	6000	8000	9500	
	Kg	LOAD	906	1814	2720	3630	4315	
Line Speed	ft/min	12V	29.5	14.4	11.9	9.9	8.7	7.2
	ft/min	24V	41.7	20.4	15.2	13.8	11.8	9.8
	m/min	12V	9.0	4.4	3.6	3.0	2.7	2.2
	m/min	24V	12.7	6.2	4.6	4.2	3.6	3.0
Motor Current	Amps	12V	70	170	240	310	380	425
	Amps	24V	50	85	120	150	185	210

ALSO AVAILABLE AS

24 Volt • TMAEW9500-24V